



**OMIC | R&D**

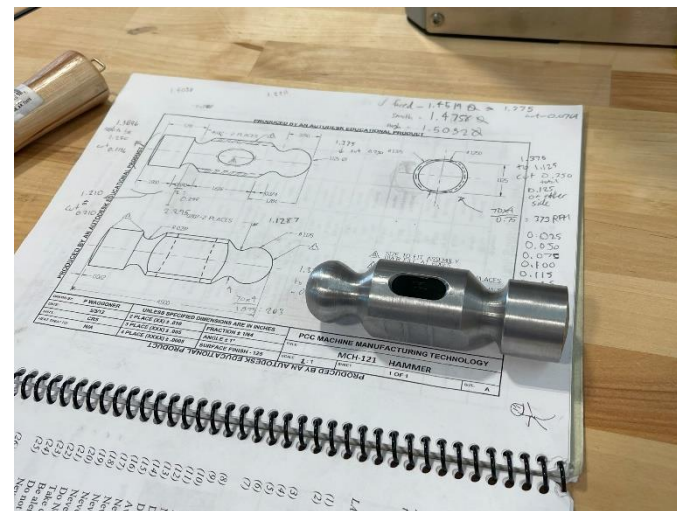
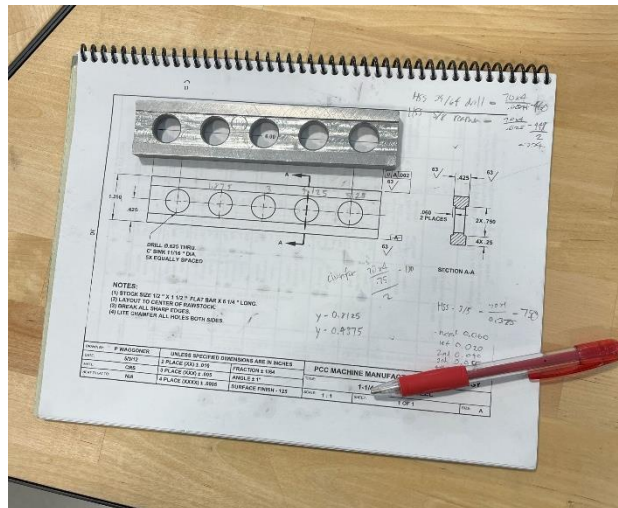
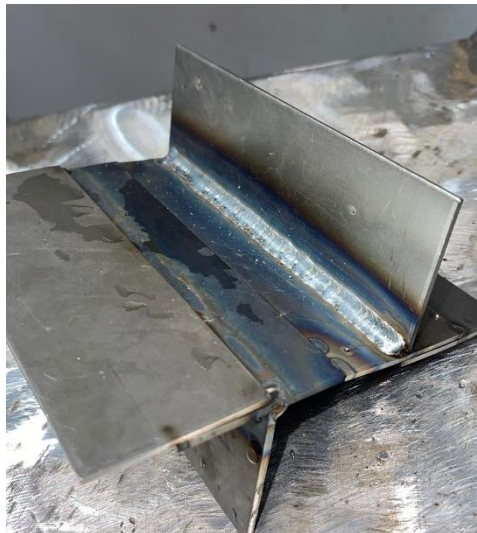
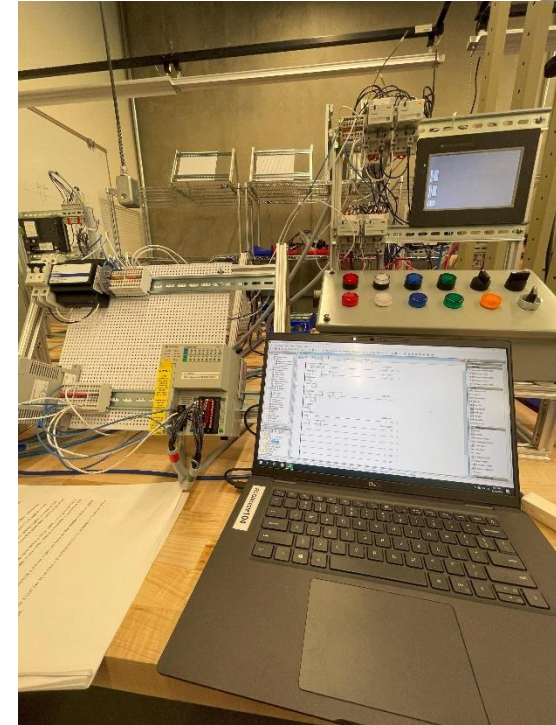
**Collaborate. Innovate. Elevate.**

# **OMIC/OSU Practicum**

Camden Galen

# OMIC Training Center - PCC

- 2 weeks of welding
- 5 weeks of machining
- 2 weeks of PLC
- Forklift / OSHA

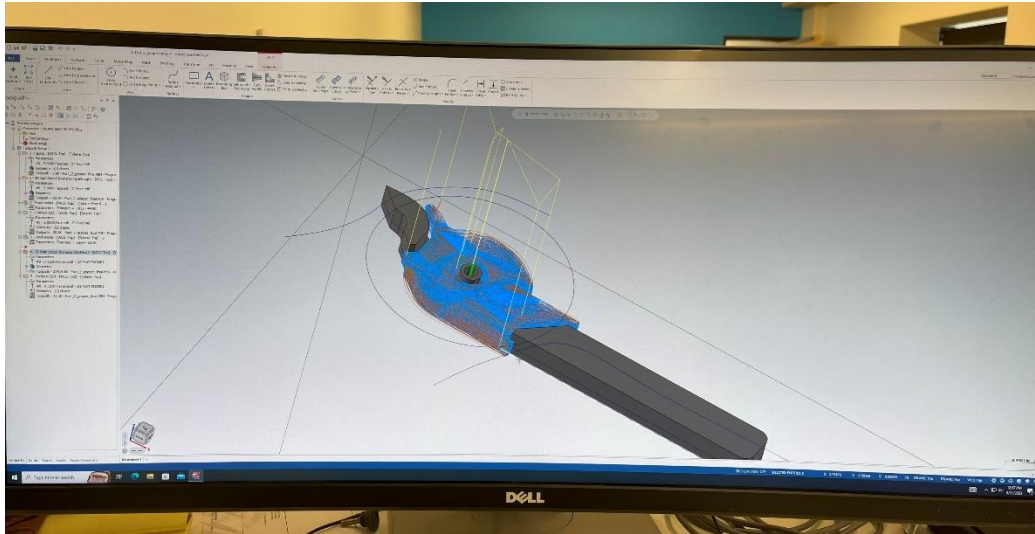
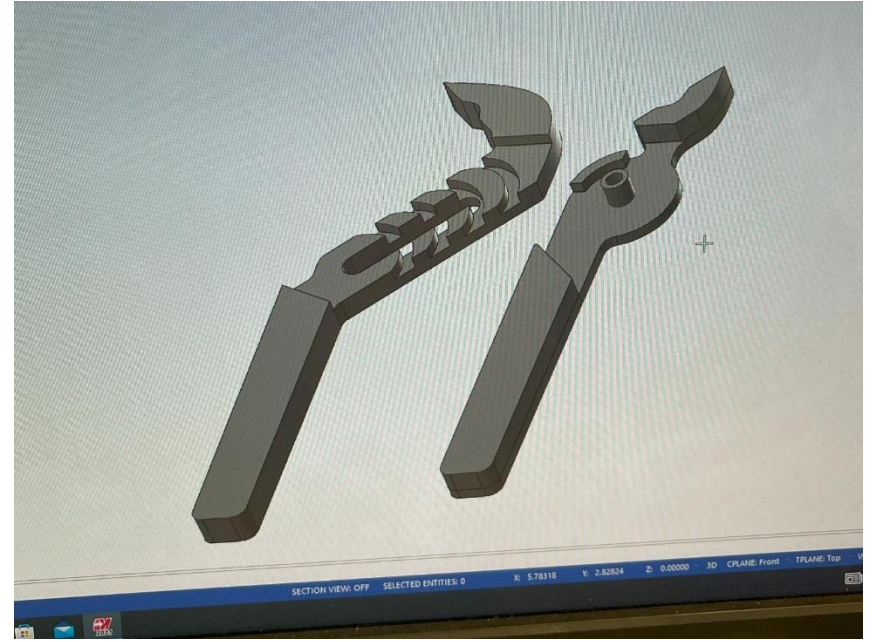


**OMIC**  
**R&D**

Collaborate. Innovate. Elevate.

# My Personal Project

- Custom tongue and groove pliers
  - Wanted an assembly
- 3D printed prototypes
- Learned Mastercam 2024



# CNC Milling

- Fixtured, dry ran, and ran operations
- Feeds and speeds
- Chips data



# What I Learned/Enjoyed

- Positive environment
- Pre-trades advanced manufacturing certification
- Masterclasses
  - G-Code
  - Conventional vs climb milling
  - Feeds and speeds
  - Acceptable unbalance
  - Basic material science
- Introduction into the manufacturing industry





**Questions?**

---

**Thank you!**